

## B30MF



### SUCTION CUP WITH SHORT BELLOWS, MARK FREE

- ▶ Suction cup of TPU, a mark free material that leaves no trace on the object being handled.
- ▶ Suitable for level adjustment.
- ▶ Lifting movement to separate small and thin objects.
- ▶ Only lightweight objects should be handled when the lifting force is parallel to the surface.

### LIFTING FORCES & TECHNICAL DATA

Lifting force vertical to the surface, N, at vacuum level			Lifting force parallel to the surface, N, at vacuum level			Volume cm <sup>3</sup>	Min. curve radius mm	Max. vertical movement mm	Weight rubber part g
20 -kPa	60 -kPa	90 -kPa	20 -kPa	60 -kPa	90 -kPa				
12.0	40.0	54.5	14.5	32.0	41.0	10.0	16.5	12.0	7

### MATERIAL SPECIFICATIONS

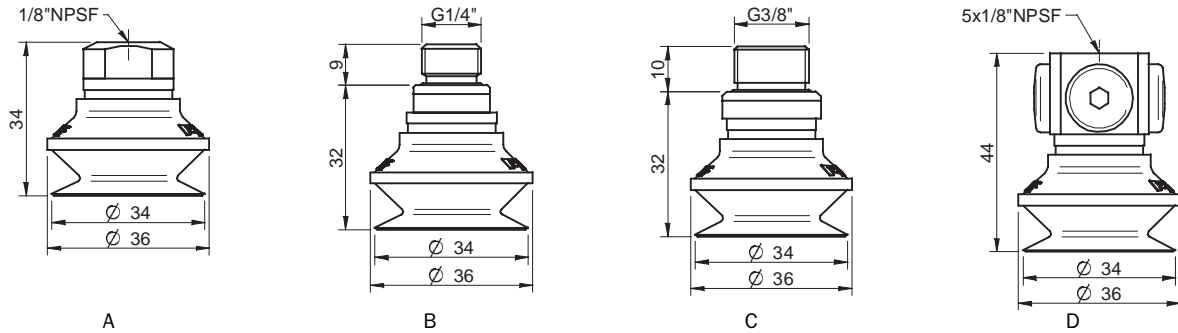
Material	Colour	Hardness °Shore A	Temperature range °C
Thermoelastic polyurethane, TPU	Transparent white	81	-20-80

### MATERIAL RESISTANCE

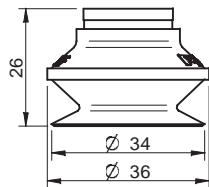
Wear resistance	Oil	Weather & Ozone	Hydrolysis	Petrol	Concentrated acids	Alcohol	Oxidation
Excellent	Excellent	Excellent	Poor	Poor	Poor	Good	Good

## ORDERING INFORMATION

Complete suction cups		Art. No.
A	Suction cup B30MF Thermoelastic polyurethane, 1/8" NPSF female, with mesh filter	0101449
A	Suction cup B30MF Thermoelastic polyurethane, 1/8" NPSF female, with dual flow control valve	0101450
B	Suction cup B30MF Thermoelastic polyurethane, G1/4" male, with mesh filter	0101444
C	Suction cup B30MF Thermoelastic polyurethane, G3/8" male, with mesh filter	0101446
D	Suction cup B30MF Thermoelastic polyurethane, 5x1/8" NPSF female	0101448



Rubber parts		Art. No.
Suction cup B30MF Thermoelastic polyurethane		0101112



Fittings		Art. No.
Fitting 1/8" NPSF female, 30–40, with mesh filter		0101153
Fitting 1/8" NPSF female, 30–40, with dual flow control valve		3251006
Fitting G1/4" male, 30–40, with mesh filter		3250091
Fitting G1/4" male, 30–40, with mesh filter and dual flow control valve		3251007
Fitting G3/8" male, 30–40, with mesh filter		3250086
Fitting G3/8" male, 30–40, with mesh and dual flow control valve		3251009
Fitting 5x1/8" NPSF female, 30–40		0100261
Fitting 5x1/8" NPSF female, 30–40, with dual flow control valve		3251011

For further information and dimensioned drawings, see *SUCTION CUPS FITTINGS* chapter.

Suction cups  
B-MF