

## OB35X90P



### OVAL SUCTION CUP WITH SHORT BELLOWS

- ▶ Suitable for level adjustment. Can handle objects with height differences and varying shapes, for example embossed or corrugated plates.
- ▶ Lifting movement to separate small and thin objects.
- ▶ In the two coloured suction cup, the bellows and the sealing lip are of different hardnesses, which makes the suction cup strong and stable and, at the same time, soft and flexible.
- ▶ DURAFLEX® are suction cups manufactured in a specially developed material that features the elasticity of rubber and wear resistance of polyurethane. The material does not leave any marks on the objects handled.

### LIFTING FORCES & TECHNICAL DATA

Material	Lifting force vertical to the surface, N, at vacuum level			Lifting force parallel to the surface, N, at vacuum level			Volume cm <sup>3</sup>	Min. curve radius mm	Max. vertical movement mm	Weight rubber part g
	20 -kPa	60 -kPa	90 -kPa	20 -kPa	60 -kPa	90 -kPa				
PU60°	28	91	145	56	153	215	36	20.0	8.0	48
PU30°/60°	38	98	134	66	154	206	36	25.0	8.0	48

### MATERIAL SPECIFICATIONS

Material	Colour	Hardness °Shore A	Temperature range °C
Polyurethane, PU30	Yellow transparent	30	10–50
Polyurethane, PU60	Green transparent	60	10–50

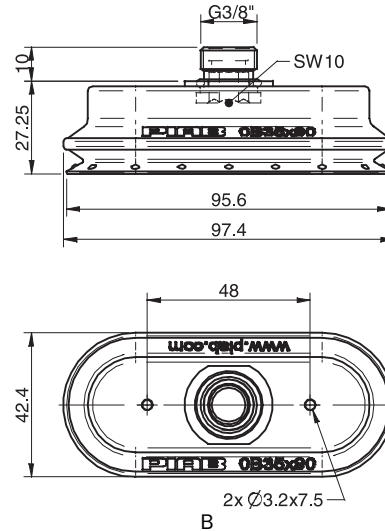
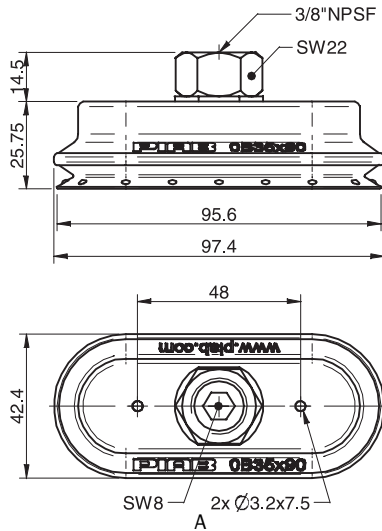
### MATERIAL RESISTANCE

Wear resistance	Oil	Weather & ozone	Hydrolysis	Petrol	Concentrated acids	Ethanol	Methanol	Oxidation
Excellent	Excellent	Excellent	Fair**	Fair	Fair**	Fair	Poor	Poor

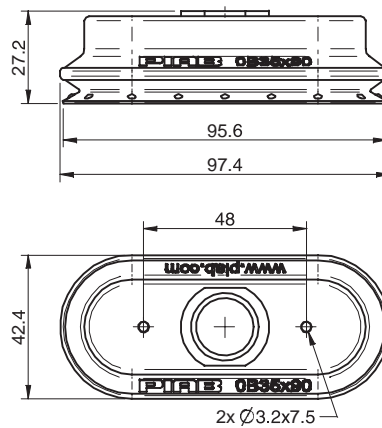
\*\*Please contact Piab.

## ORDERING INFORMATION

Complete suction cups		Art. No.
A	Suction cup OB35x90P Polyurethane 60, 3/8" NPSF female	0108672
B	Suction cup OB35x90P Polyurethane 60, thread insert G3/8" male, with mesh filter	0108673
A	Suction cup OB35x90P Polyurethane 30/60, 3/8" NPSF female	0109857
B	Suction cup OB35x90P Polyurethane 30/60, thread insert G3/8" male, with mesh filter	0109856



Rubber parts		Art. No.
Suction cup OB35x90P Polyurethane 60		0109912
Suction cup OB35x90P Polyurethane 30/60		0109913



Fittings		Art. No.
Thread insert G3/8" male, with O-ring and mesh filter		0107148

Suction cups  
OB-P