

BX25P



SUCTION CUP WITH 2½ BELLOWS

- ▶ Suitable for level adjustment and for uneven and porous surfaces such as cardboard, etc.
- ▶ In the two-coloured suction cup the bellows and the sealing lip are of different hardnesses, which makes the suction cup strong and stable and, at the same time, soft and flexible.
- ▶ DURAFLEX® suction cups manufactured in a specially developed material that features the elasticity of rubber and wear resistance of polyurethane.
- ▶ The material DURAFLEX® is mark free.

LIFTING FORCES & TECHNICAL DATA

Material	Lifting force vertical to the surface, N, at vacuum level			Lifting force parallel to the surface, N, at vacuum level			Volume cm ³	Min. curve radius mm	Max. vertical movement mm	Weight rubber part g
	20 -kPa	60 -kPa	90 -kPa	20 -kPa	60 -kPa	90 -kPa				
PU30°/60°	8.0	13.0	18.0	5.0*	10.0*	12.0*	3.0	6.0	8.5	3
PU60°	9.0	14.0	18.0	7.0*	11.0*	15.0*	3.0	8.0	8.5	3

*The suction cup is not intended for handling shear lifts. The values are given as a dimensioning guide to be used when, e.g., the acceleration/retardation causes shear forces.

MATERIAL SPECIFICATIONS

Material	Colour	Hardness °Shore A	Temperature range °C
Polyurethane, PU30	Yellow transparent	30	10-50
Polyurethane, PU60	Green transparent	60	10-50

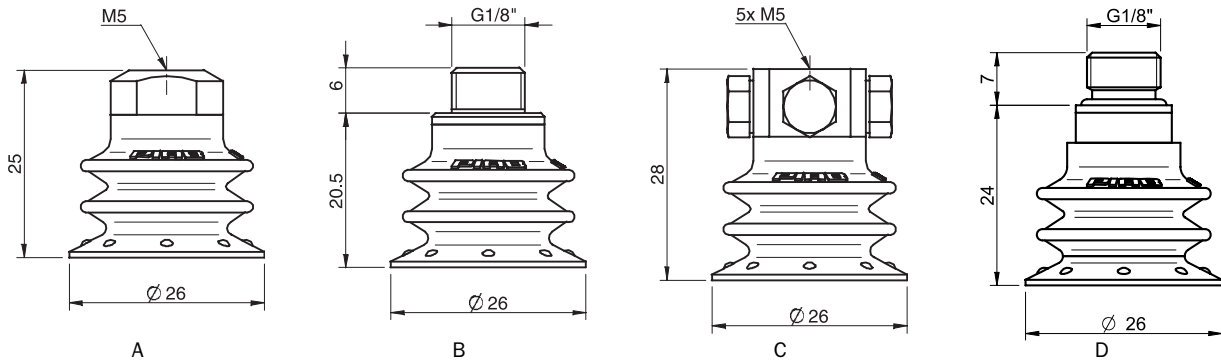
MATERIAL RESISTANCE

Wear resistance	Oil	Weather & ozone	Hydrolysis	Petrol	Concentrated acids	Ethanol	Methanol	Oxidation
Excellent	Excellent	Excellent	Fair**	Fair	Fair**	Fair	Poor	Poor

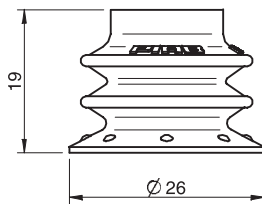
**Please contact Piab.

ORDERING INFORMATION

Complete suction cups		Art. No.
A	Suction cup BX25P Polyurethane 30/60 with filter, M5 female	0109404
B	Suction cup BX25P Polyurethane 30/60 with filter, G1/8" male / M5 female	0109402
B	Suction cup BX25P Polyurethane 30/60 with filter, G1/8" male / M5 female, with dual flow control valve	0109403
C	Suction cup BX25P Polyurethane 30/60 with filter, 5xM5 female	0109405
D	Suction cup BX25P Polyurethane 30/60 with filter, G1/8" male	0114131
A	Suction cup BX25P Polyurethane 60 with filter, M5 female	0109400
B	Suction cup BX25P Polyurethane 60 with filter, G1/8" male / M5 female	0109398
C	Suction cup BX25P Polyurethane 60 with filter, 5xM5 female	0109401
D	Suction cup BX25P Polyurethane 60 with filter, G1/8" male	0114149



Rubber parts		Art. No.
Suction cup BX25P Polyurethane 30/60		0109006
Suction cup BX25P Polyurethane 30/60, with filter		0109312
Suction cup BX25P Polyurethane 60		0108240
Suction cup BX25P Polyurethane 60, with filter		0109397



Fittings		Art. No.
Fitting M5 female		3250003
Fitting M5 female, with dual flow control valve		3251001
Fitting G1/8" male, with mesh filter		3250085
Fitting G1/8" male/M5 female		3250004
Fitting G1/8" male/M5 female, with dual flow control valve		3251004
Fitting 5xM5 female		0100260
Fitting 5xM5 female, with dual flow control valve		3251005

For further information and dimensioned drawings, see SUCTION CUPS FITTINGS chapter.

Spare Part	Material	Temperature range °C	Art. No.
Filter for BX25P	Polyester/TPE	-40-90	0109311