

BL50-4



- ▶ Good sealing properties
- ▶ Suitable for bags with fragile content e.g. snacks and cookies and lifting frozen food
- ▶ Suitable for level compensation
- ▶ The silicone material complies with FDA 21 CFR 177.2600
- ▶ High flow fitting

LIFTING FORCES & TECHNICAL DATA

Lifting force vertical to the surface, N, at vacuum level			Lifting force parallel to the surface, N, at vacuum level			Volume cm ³	Min. curve radius mm	Max. vertical movement mm	Weight rubber part g
20 -kPa	60 -kPa	90 -kPa	20 -kPa	60 -kPa	90 -kPa				
8	25	—	—	—	—	35	30	22	25

MATERIAL SPECIFICATIONS

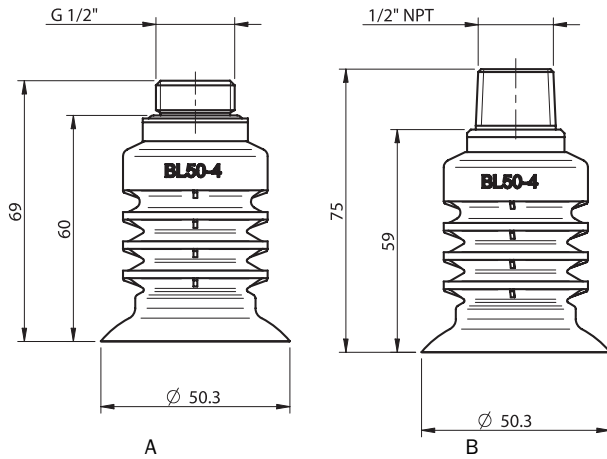
Material	Colour	Hardness °Shore A	Temperature range °C
Silicone, SIL	Red	40	-40-200

MATERIAL RESISTANCE

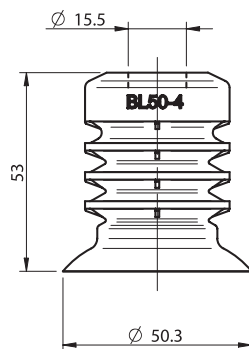
Material	Wear resistance	Oil	Weather & Ozone	Hydrolysis	Petrol	Concentrated acids	Alcohol	Oxidation
Silicone, SIL	Good	Poor	Excellent	Fair	Poor	Poor	Good	Excellent

ORDERING INFORMATION

Complete suction cup		Art. No.
A	Suction cup BL50-4 Silicone, G1/2" male	0120543
B	Suction cup BL50-4 Silicone, 1/2" NPT male	0120544



Rubber parts		Art. No.
Suction cup BL50-4 Silicone		0117612



Description	Art. No.
Fitting G1/2" male, bag	0113117
Fitting 1/2" NPT male, bag	0113140

Suction cups
BL