

B5



SUCTION CUP WITH SHORT BELLOWS

- ▶ Lifting movement to separate small and thin objects.
- ▶ Only lightweight objects should be handled when the lifting force is parallel to the surface.
- ▶ Suitable for level adjustment.
- ▶ Suction cups of conductive silicone are suitable for objects with sensitivity to static electricity.

LIFTING FORCES & TECHNICAL DATA

| Lifting force vertical to the surface, N, at vacuum level | | | Lifting force parallel to the surface, N, at vacuum level | | | Volume cm ³ | Min. curve radius mm | Max. vertical movement mm | Weight rubber part g |
|---|---------|---------|---|---------|---------|---------------------------|-------------------------|------------------------------|-------------------------|
| 20 -kPa | 60 -kPa | 90 -kPa | 20 -kPa | 60 -kPa | 90 -kPa | | | | |
| 0.30 | 0.80 | 1.0 | — | — | — | 0.05 | 1.5 | 1.5 | 0.11 |

MATERIAL SPECIFICATIONS

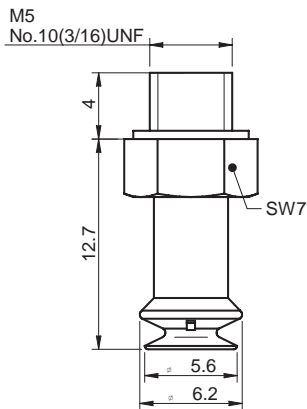
| Material | Colour | Hardness °Shore A | Temperature range °C |
|---------------------------|--------|----------------------|-------------------------|
| Chloroprene, CR | Black | 50 | -40–110 |
| Silicone, SIL | Red | 50 | -40–200 |
| Conductive silicone, CSIL | Black | 50 | -55–230 |

MATERIAL RESISTANCE

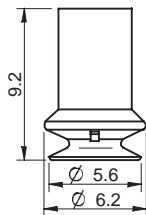
| Material | Wear resistance | Oil | Weather & ozone | Hydrolysis | Petrol | Concentrated acids | Alcohol | Oxidation |
|---------------------------|-----------------|------|-----------------|------------|--------|--------------------|---------|-----------|
| Chloroprene, CR | Excellent | Fair | Good | Good | Fair | Poor | Good | Good |
| Silicone, SIL | Good | Poor | Excellent | Fair | Poor | Poor | Good | Excellent |
| Conductive silicone, CSIL | Good | Poor | Excellent | Fair | Poor | Poor | Good | Excellent |

ORDERING INFORMATION

| Complete suction cups | Art. No. |
|---|-----------|
| Suction cup B5 Chloroprene, M5 male | 3250082 |
| Suction cup B5 Silicone, M5 male | 3250082S |
| Suction cup B5 Conductive silicone, M5 male | 3250082SC |



| Rubber parts | Art. No. |
|------------------------------------|-----------|
| Suction cup B5 Chloroprene | 3150286 |
| Suction cup B5 Silicone | 3150286S |
| Suction cup B5 Conductive silicone | 3150286SC |



| Fittings | Art. No. |
|----------------------|----------|
| Fitting M5 male, 5-8 | 3107031 |

For further information and dimensioned drawings, see *SUCTION CUPS FITTINGS* chapter.