

B110



SUCTION CUP WITH SHORT BELLOWS

- ▶ Suitable for level adjustment. Several short bellows in one lifting device can handle objects with height differences and varying shapes, for example embossed or corrugated plates.
- ▶ The lifting movement can be used to separate small and thin objects.
- ▶ Only lightweight objects should be handled when the lifting force is parallel to the surface of the object, in order to achieve good precision and safe lifting movement.

LIFTING FORCES & TECHNICAL DATA

| Lifting force vertical to the surface, N, at vacuum level | | | Lifting force parallel to the surface, N, at vacuum level | | | Volume cm ³ | Min. curve radius mm | Max. vertical movement mm | Weight rubber part g |
|---|---------|---------|---|---------|---------|---------------------------|-------------------------|------------------------------|-------------------------|
| 20 -kPa | 60 -kPa | 90 -kPa | 20 -kPa | 60 -kPa | 90 -kPa | | | | |
| 137 | 343 | 461 | — | — | — | 310 | 60 | 35 | 120 |

MATERIAL SPECIFICATIONS

| Material | Colour | Hardness °Shore A | Temperature range °C |
|------------------|-----------|-------------------|----------------------|
| Nitrile-PVC, NPV | Black | 50 | 0–90 |
| Silicone, SIL | Red | 50 | -40–200 |
| HNBR | Grey-blue | 75 | -30–140* |

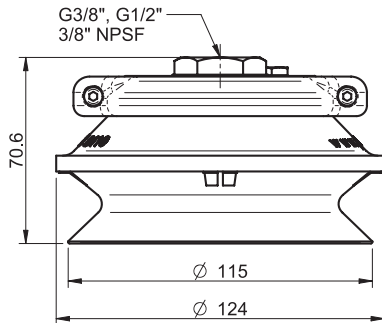
* For a shorter period of time up to +160 °C

MATERIAL RESISTANCE

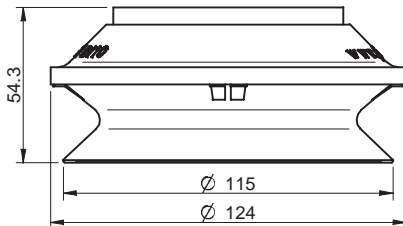
| Material | Wear resistance | Oil | Weather & ozone | Hydrolysis | Petrol | Concentrated acids | Alcohol | Oxidation |
|------------------|-----------------|-----------|-----------------|------------|-----------|--------------------|---------|-----------|
| Nitrile-PVC, NPV | Excellent | Excellent | Good | Good | Excellent | Fair | Good | Good |
| Silicone, SIL | Good | Poor | Excellent | Fair | Poor | Poor | Good | Excellent |
| HNBR | Excellent | Excellent | Excellent | Good | Excellent | Fair | Good | Excellent |

ORDERING INFORMATION

| Complete suction cups | Art. No. |
|--|----------|
| Suction cup B110 Nitrile-PVC, G3/8" female, with mesh filter | 0101890 |
| Suction cup B110 Nitrile-PVC, 3/8" NPSF female, with mesh filter | 0101891 |
| Suction cup B110 Nitrile-PVC, G1/2" female, with mesh filter | 0101892 |
| Suction cup B110 Silicone, G3/8" female, with mesh filter | 0101884 |
| Suction cup B110 Silicone, 3/8" NPSF female, with mesh filter | 0101885 |
| Suction cup B110 Silicone, G1/2" female, with mesh filter | 0101886 |
| Suction cup B110 HNBR, G3/8" female, with mesh filter | 0108178 |
| Suction cup B110 HNBR, G1/2" female, with mesh filter | 0108180 |
| Suction cup B110 HNBR, 3/8" NPSF female, with mesh filter | 0108179 |



| Rubber parts | Art. No. |
|------------------------------|----------|
| Suction cup B110 Nitrile-PVC | 3150108P |
| Suction cup B110 Silicone | 3150108S |
| Suction cup B110 HNBR | 3150108T |



| Fittings | Art. No. |
|---|----------|
| Fitting 110 G3/8" female, with mesh filter | 0100557 |
| Fitting 110, G1/2" female, with mesh filter | 0100561 |
| Fitting 110, 3/8" NPSF female, with mesh filter | 0100559 |

For further information and dimensioned drawings, see *SUCTION CUPS FITTINGS* chapter.

Suction cups B