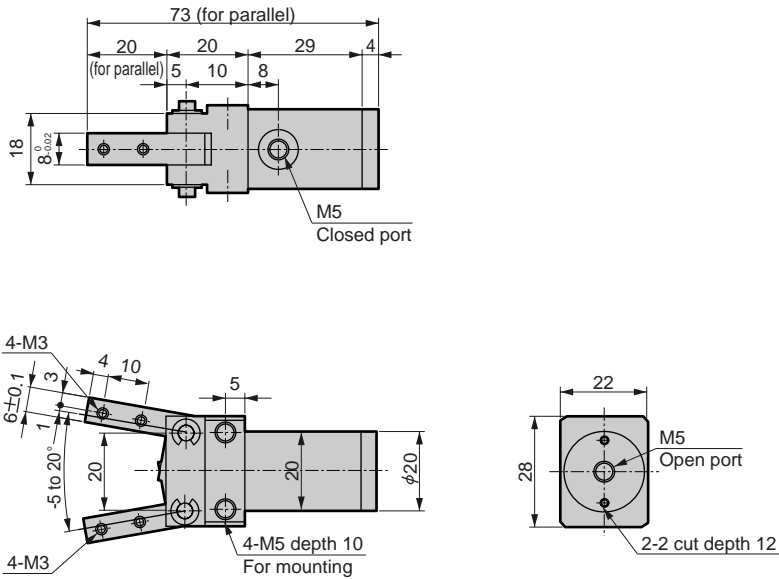


Dimensions

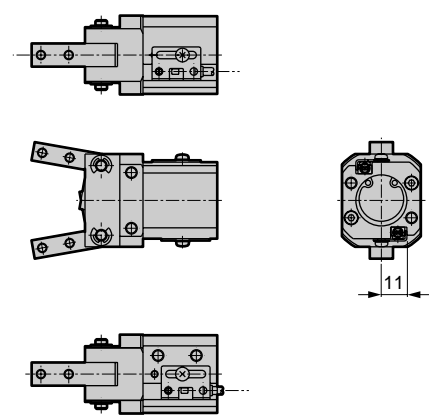
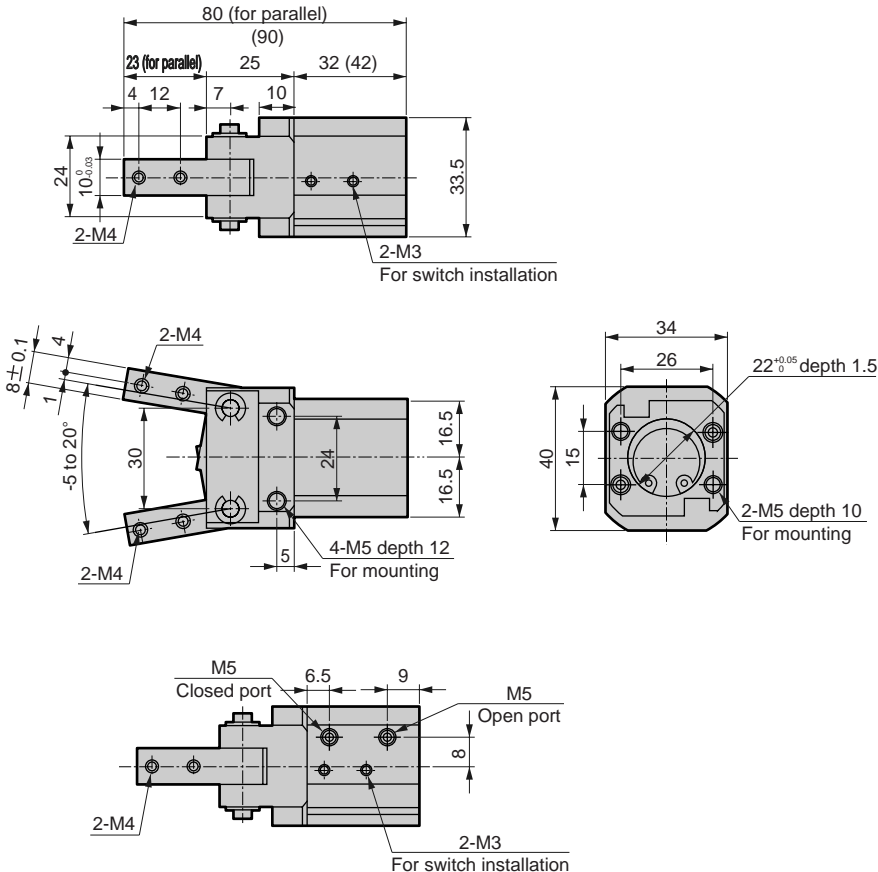
● HBL-1C standard/O/C



● HBL-2CS standard/O/C

● Dimension in () for C (normally closed) specifications.

● With switch



RRC
GRC
RV3*
NHS
HR
LN
FH100
HAP
BSA2
BHA/ BHG
LHA
LHAG
HKP
HLA/ HLB
HLAG/ HLBG
HEP
HCP
HMF
HMFb
HFP
HLC
HGP
FH500
HBL
HDL
HMD
HJL
BHE
CKG
CK
CKA
CKS
CKF
CKJ
CKL2
CKL2 *-HC
CKH2
CKLB2
NCK/ SCK/FCK
FJ
FK
Ending

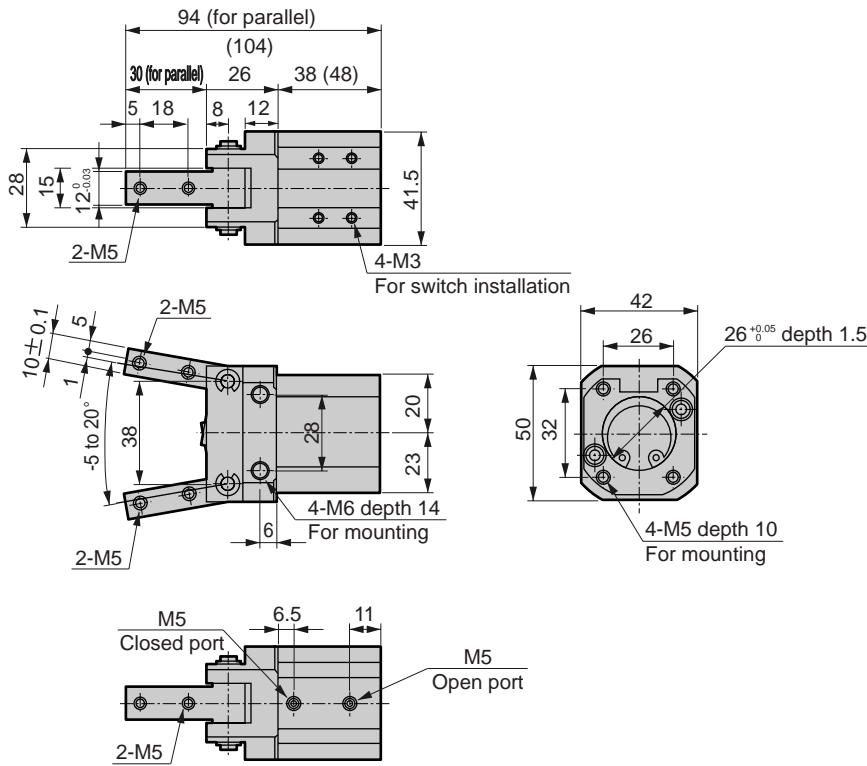
Fulcrum hand
Hand

Dimensions

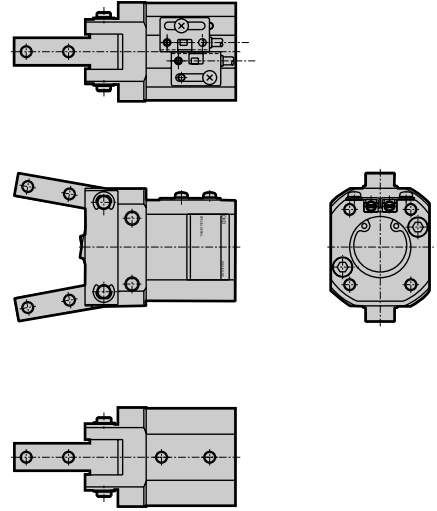


● HBL-3CS standard/O/C

● Dimension in () for C (normally closed) specifications.

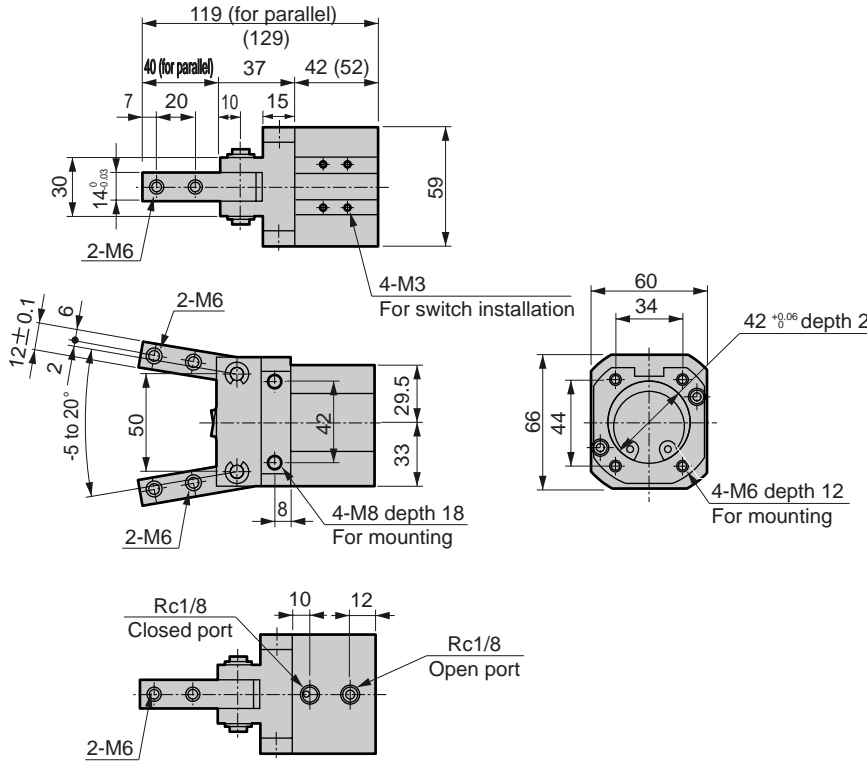


● With switch

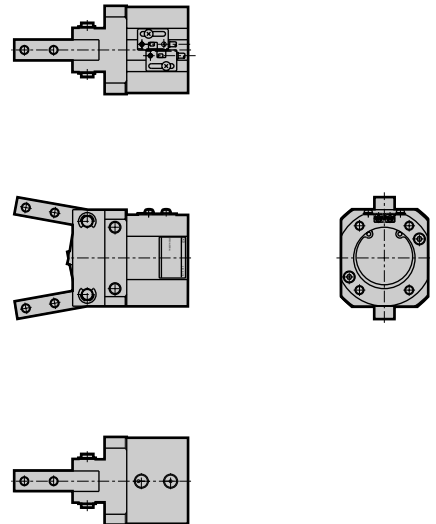


● HBL-4CS standard/O/C

● Dimension in () for C (normally closed) specifications.



● With switch



RRC
GRC
RV3*
NHS
HR
LN
FH100
HAP
BSA2
BHA/BHG
LHA
LHAG
HKP
HLA/HLB
HLAG/HLBG
HEP
HCP
HMF
HMFB
HFP
HLC
HGP
FH500
HBL
HDL
HMD
HJL
BHE
CKG
CK
CKA
CKS
CKF
CKJ
CKL2
CKL2 *-HC
CKH2
CKLB2
NCK/SCK/FCK
FJ
FK
Ending